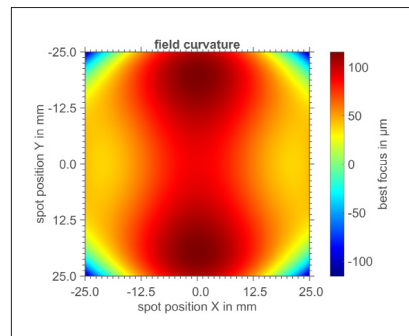
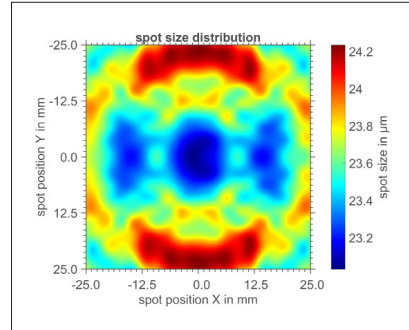


F-Theta JENar® APTAline® Lens
 High Power Lens – JENar® APTAline® 161-1030...1080-71-AL

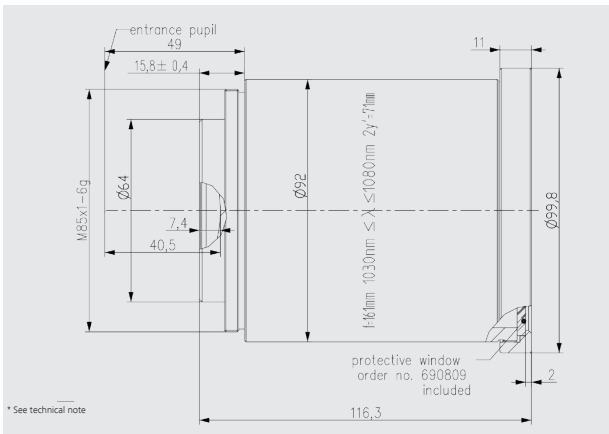


Parameters	JENar® APTAline® 161-1030...1080-71-AL Fused silica lens
Focal length:	161 mm
Wavelength:	1030...1080 nm
Scan field (X x Y); Ø:	(50 mm x 50 mm); 71 mm
Diagonal scan angle:	± 12.7°
X/Y mirror angle:	± 4.5°
Back working distance:	153.5 mm
Flange focus distance:	254.5 mm
Input beam Ø 1/e ² :	14 mm
Focus size Ø 1/e ² :	23 µm
a1 a2:	17 mm 40.5 mm
Telecentricity (only F-Theta with scanner):	4.1° 4.2°
Absorption:	fused silica: < 15 ppm/cm coating: < 25 ppm
Group delay dispersion (GDD)*:	583 fs ²
LIDT coating pulsed; CW*:	2.5 J/cm ² * (τ/[ns]) ^ 0.3; 2.5 MW/cm ²
LIDT system pulsed; CW*:	2.5 J/cm ² * (τ/[ns]) ^ 0.3; 2.5 MW/cm ²
Weight:	0.917 kg
Order Number:	679781

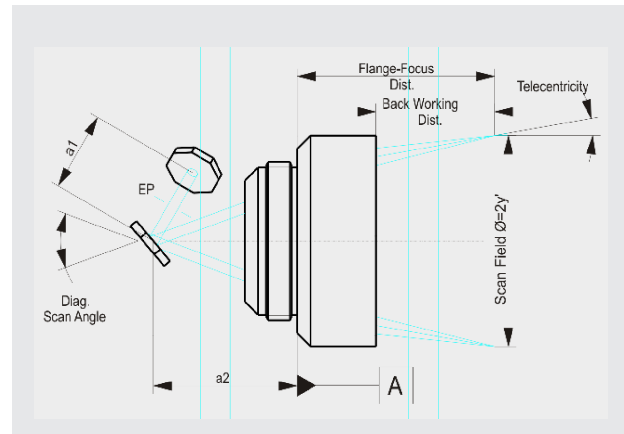
Spot properties



Specifications
 JENar® APTAline® 161-1030...1080-71-AL



Definition of geometrical parameters



JENar® registered in: EU, CN, JP, SG, US
 F-Theta registered in: EU, CN, KR, JP, SG, IN, HK, TW
 APTAline® registered in: DE, EU, JP, KR, US, CN

The data given are nominal values for the specified application parameters. Jenoptik provides Zemax® BlackBox files for simulating application results for customized parameters (e.g. wavelength, scanner geometry, beam diameter, ...).
 Back working distance, Flange focus distance, and focal length vary by ± 1.5 % due to manufacturing variances.

It is our policy to constantly improve the design and specifications. Accordingly, the details represented herein cannot be regarded as final and binding.