

技术参数

声光介质	TeO ₂		
声速	4.2 mm/μs		
透光孔径*	2 mm 'L' X	0.15 mm 'H'	
中心频率	350 MHz		
射频带宽	150 MHz @	-10 dB Return Loss	
输入阻抗	50 Ohms Nominal		
驻波比	1.3 :1 Max		
波长	460-685 nm		
插入损耗	4 % Max		
单面反射率	1 % Max		
增透膜标准	MIL-C-48497		
光功率密度	TDB	N/A	
消光比	1500 :1 Min		
偏振	90 ° To Mounting Plane		

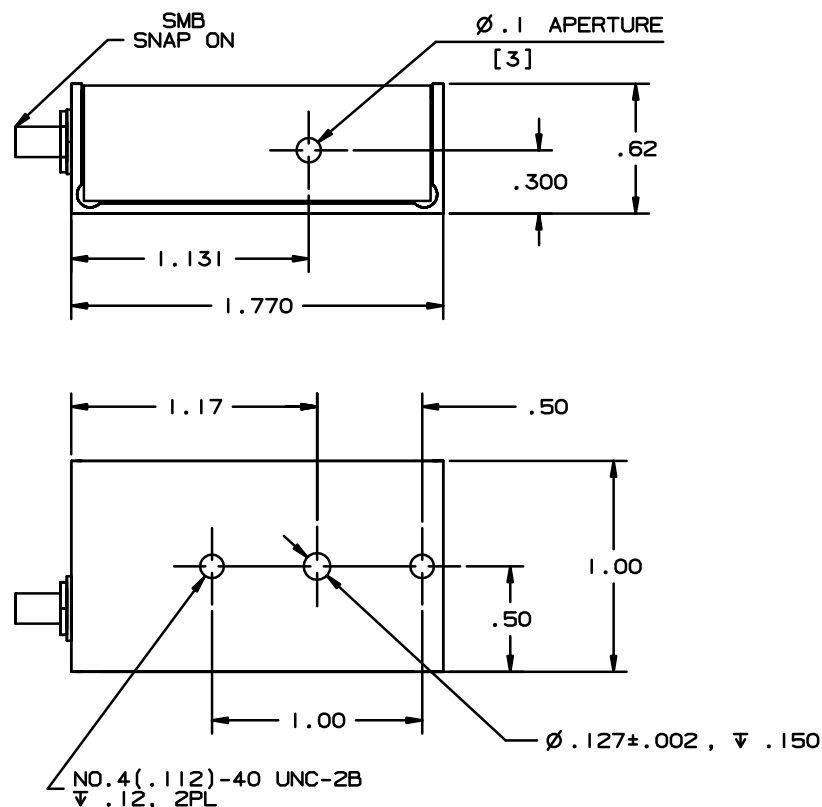
波长性能参数

波长(nm)	460	532	632	660	685
饱和射频功率 (W)	.63	.90	1.00	1.00	1.00
布拉格角 (mr)	19.2	22.2	26.3	27.5	28.5
光束分离角 (mr)	38.4	44.4	52.6	55	57

光束直径性能参数

光束直径(μm)	50	50	50	50	50
波长(nm)	460	532	632	660	685
衍射效率(%)	80	80	70	65	60
上升时间(ns)	9	9	9	9	9

外形尺寸图:



Notes:

Maximum RF Power is 1.00 Watt.
Diffraction Efficiency measured at 1.00 Watt RF power and 633nm

THIS DOCUMENT IS THE PROPERTY OF GOOCH AND HOUSEGO. IT IS NOT TO BE REPRODUCED OR DISCLOSED IN WHOLE OR IN PART OTHER THAN BY EMPLOYEES OF GOOCH AND HOUSEGO AND ITS CONTRACTED REPRESENTATIVES AND DISTRIBUTORS. ANY EXCEPTION REQUIRES THE WRITTEN CONSENT OF AN AUTHORIZED REPRESENTATIVE OF GOOCH AND HOUSEGO.



Document
10/31/13
Control

*透光孔径: 性能指标适用的光学孔径范围

TOLERANCES: .XX ± .01 .XXX ± .005	DR	Gerri Scholz 10/9/2013	Gooch & Housego		
MATERIAL:	CHK		DESCRIPTION: AOMO 3350-199 460-685nm		
FINISH:	APP		PART NUMBER:	REV:	SHEET 1 OF 1
	APP		97-03046-01	E	