

技术参数

声光介质	TeO ₂	
声速	4.2 mm/μs	
透光孔径*	1 mm 'L' X	0.1 mm 'H'
中心频率	200 MHz	
射频带宽	90 MHz @	-10 dB Return Loss
输入阻抗	50 Ohms Nominal	
驻波比	1.3 :1 Max	
波长	1550 nm	
插入损耗	4 % Max	
单面反射率	0.5 % Max	
增透膜标准	MIL-C-48497	
光功率密度	50 W/mm ²	
消光比	1000 :1 Min	
偏振	90 ° To Mounting Plane	

波长性能参数

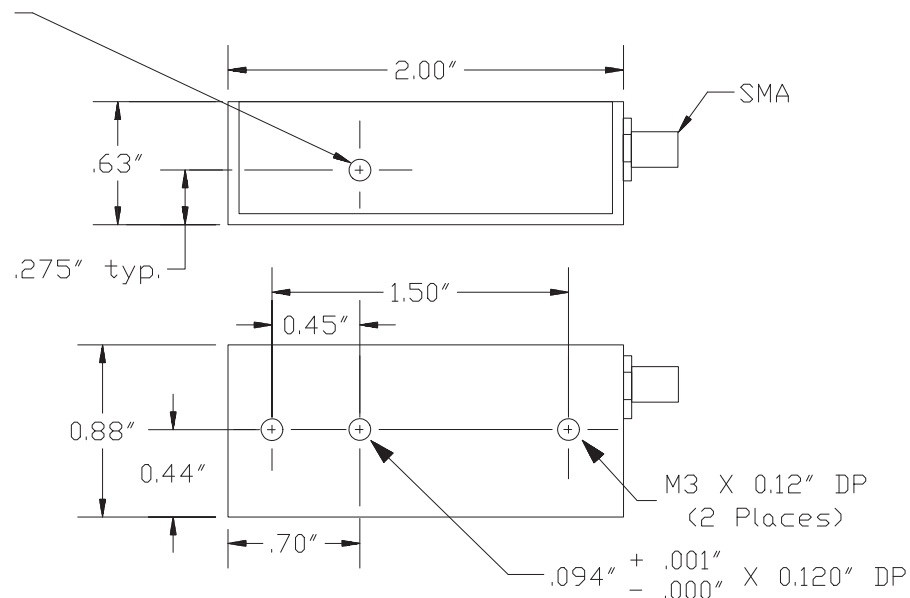
波长(nm)	1550	
饱和射频功率 (W)	3	
布拉格角 (mr)	36.9	
光束分离角 (mr)	73.8	

光束直径性能参数

光束直径(μm)	50	65
波长(nm)	1550	1550
衍射效率(%)	50	55
上升时间(ns)	10	12
调制带宽	N/A	N/A
	N/A	N/A

*透光孔径：性能指标适用的光学孔径范围

外形尺寸图：



Document

06/12/15

Control

Notes:

Maximum average RF power must not exceed 1W.



THIS DOCUMENT IS THE PROPERTY OF GOOCH AND HOUSEGO. IT IS NOT TO BE REPRODUCED OR DISCLOSED IN WHOLE OR IN PART OTHER THAN BY EMPLOYEES OF GOOCH AND HOUSEGO AND ITS CONTRACTED REPRESENTATIVES AND DISTRIBUTORS. ANY EXCEPTION REQUIRES THE WRITTEN CONSENT OF AN AUTHORIZED REPRESENTATIVE OF GOOCH AND HOUSEGO.

TOLERANCES: .XX ± .01 .XXX ± .005	DR	Gerri Scholz 6/10/2015	
MATERIAL:	CHK		
FINISH: 	APP		PART NUMBER: 97-03251-01
	APP		REV: 2
			SHEET 1 OF 1