

技术参数

| | | | |
|-------|------------------------|--------------------|--|
| 声光介质 | TeO ₂ | | |
| 声速 | 4.2 mm/μs | | |
| 通光孔径* | 2.5 mm 'L' X | 0.45 mm 'H' | |
| 中心频率 | 200 MHz | | |
| 射频带宽 | 50 MHz @ | -10 dB Return Loss | |
| 输入阻抗 | 50 Ohms Nominal | | |
| 驻波比 | 1.3 :1 Max | | |
| 波长 | 413-442 nm | | |
| 插入损耗 | 5 % Max | | |
| 单面反射率 | 1 % Max | | |
| 增透膜标准 | MIL-C-48497 | | |
| 光功率密度 | 250 W/mm ² | | |
| 消光比 | 1000 :1 Min | | |
| 偏振 | 90 ° To Mounting Plane | | |

波长性能参数

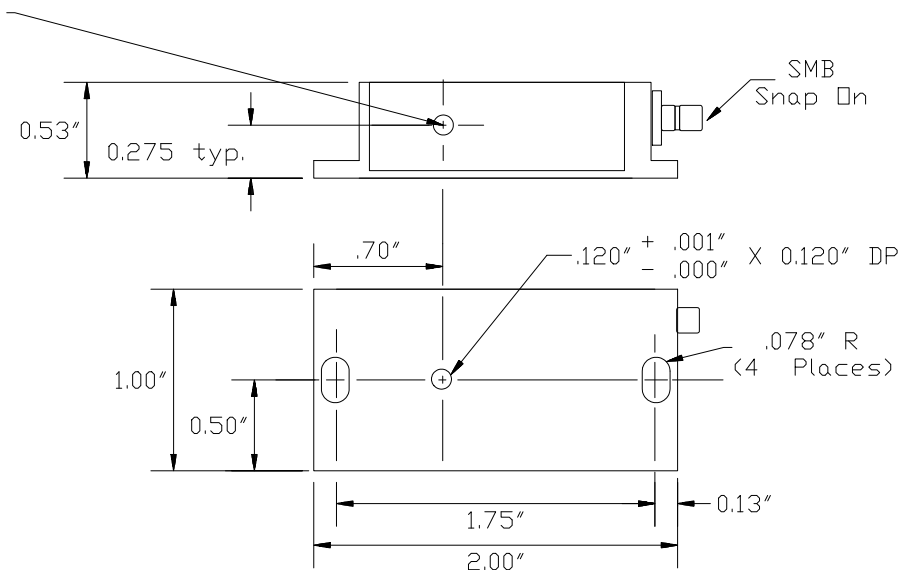
| | | |
|------------|------------|------------|
| 波长(nm) | 488 | 413 |
| 饱和射频功率 (W) | 0.6 | 0.4 |
| 布拉格角 (mr) | 11.6 | 9.8 |
| 光束分离角 (mr) | 23.2 | 19.6 |

光束直径性能参数

| | | | | |
|----------|-----------|-----------|------------|------------|
| 光束直径(μm) | 60 | 80 | 100 | 120 |
| 波长(nm) | 413 | 413 | 413 | 413 |
| 衍射效率(%) | 75 | 80 | 80 | 80 |
| 上升时间(ns) | 13 | 16 | 19 | 22 |
| 调制带宽 | 52 | 40 | 31 | 26.5 |
| 光束椭圆率 | 15 | 8 | 4 | 2 |

*通光孔径：性能指标适用的光学孔径范围

外形尺寸图:



Document

10/31/13

Control

Notes:



THIS DOCUMENT IS THE PROPERTY OF GOOCH AND HOUSEGO. IT IS NOT TO BE REPRODUCED OR DISCLOSED IN WHOLE OR IN PART OTHER THAN BY EMPLOYEES OF GOOCH AND HOUSEGO AND ITS CONTRACTED REPRESENTATIVES AND DISTRIBUTORS. ANY EXCEPTION REQUIRES THE WRITTEN CONSENT OF AN AUTHORIZED REPRESENTATIVE OF GOOCH AND HOUSEGO.

| | | | | | |
|---|-----|---------------------------|---|------|--------|
| TOLERANCES: .XX ± .01 .XXX ± .005 | DR | Gerri Scholz 10/7/2013 | DESCRIPTION: AOMO 3200-129 200 MHz SMB-2 413 nm | | |
| MATERIAL: | CHK | | | | |
| FINISH: | APP | | PART NUMBER: | REV: | SHEET |
| | APP | | 97-02197-01 | B | 1 OF 1 |