

技术参数

声光介质		TeO2
声速		4.2 mm/μs
透光孔径*	1.2 mm 'L' X	1.2 mm 'H'
中心频率		150 MHz
射频带宽	15 MHz @	-10 dB Return Loss
输入阻抗		50 Ohms Nominal
驻波比		1.3:1 Max
波长		405-650 nm
插入损耗		2 % Max
单面反射率		0.5 % Max
增透膜标准		MIL-C-48497
光功率密度		MW/cm <sup>2</sup>
消光比		1000:1 Min
偏振		90° To Mounting Plane

波长性能参数

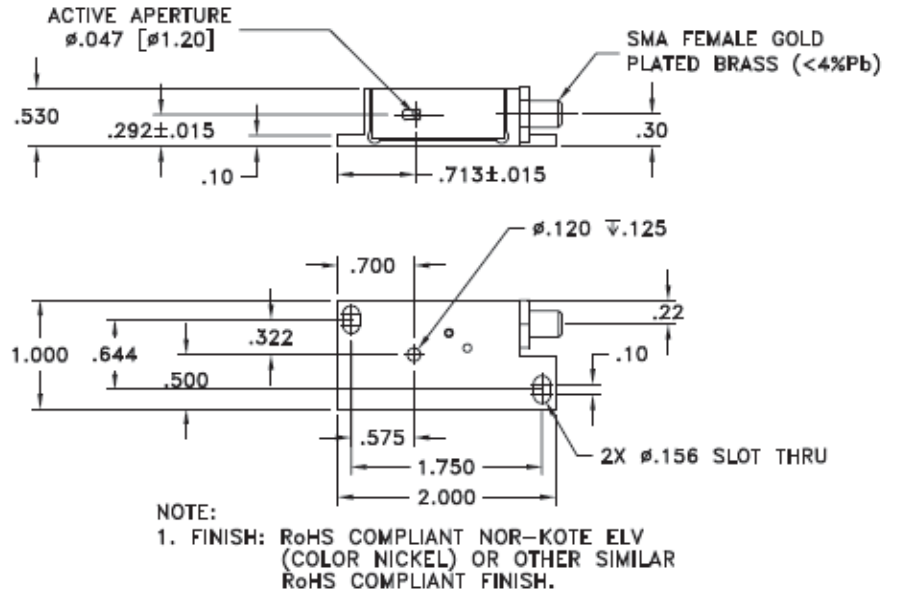
波长(nm)		633
饱和射频功率 (W)		.5
布拉格角 (mr)		11.3
光束分离角 (mr)		22.6

光束直径性能参数

光束直径(μm)		700
波长(nm)		633
衍射效率(%)		75
上升时间(ns)		73
调制带宽		4.5
光束椭圆率		NA

\*透光孔径：性能指标适用的光学孔径范围

外形尺寸图:



Document  
01/15/20  
Control

Notes:  
Maximum RF 1W



THIS DOCUMENT IS THE PROPERTY OF GOOCH AND HOUSEGO. IT IS NOT TO BE REPRODUCED OR DISCLOSED IN WHOLE OR IN PART OTHER THAN BY EMPLOYEES OF GOOCH AND HOUSEGO AND ITS CONTRACTED REPRESENTATIVES AND DISTRIBUTORS. ANY EXCEPTION REQUIRES THE WRITTEN CONSENT OF AN AUTHORIZED REPRESENTATIVE OF GOOCH AND HOUSEGO.

TOLERANCES: .XX ± .01 .XXX ± .005	DR	G.Scholz 1/13/2020	Gooch & Housego		
MATERIAL:	CHK		DESCRIPTION: <b>AOMO 3150</b> 405-650nm, 1.2mm aperture		
FINISH:	APP		PART NUMBER: 97-03465-01	REV: 1	SHEET 1 OF 1