

### 技术参数

声光介质	Crystalline Quartz
声速	5.74 mm/μs
透光孔径*	6 mm 'L' X 6 mm 'H'
中心频率	110 MHz
射频带宽	20 MHz @ -10 dB Return Loss
输入阻抗	50 Ohms Nominal
驻波比	1.2:1 Max
波长	355 nm
插入损耗	1 % Max
单面反射率	0.3 % Max
增透膜标准	MIL-C-48497
光功率密度	
消光比	1000:1 Min
偏振	90° To Mounting Plane

### 波长性能参数

波长(nm)	<b>355</b>	<b>355</b>
饱和射频功率 (W)	nominal 6W	10W
布拉格角 (mr)	3.4	3.4
光束分离角 (mr)	6.8	6.8

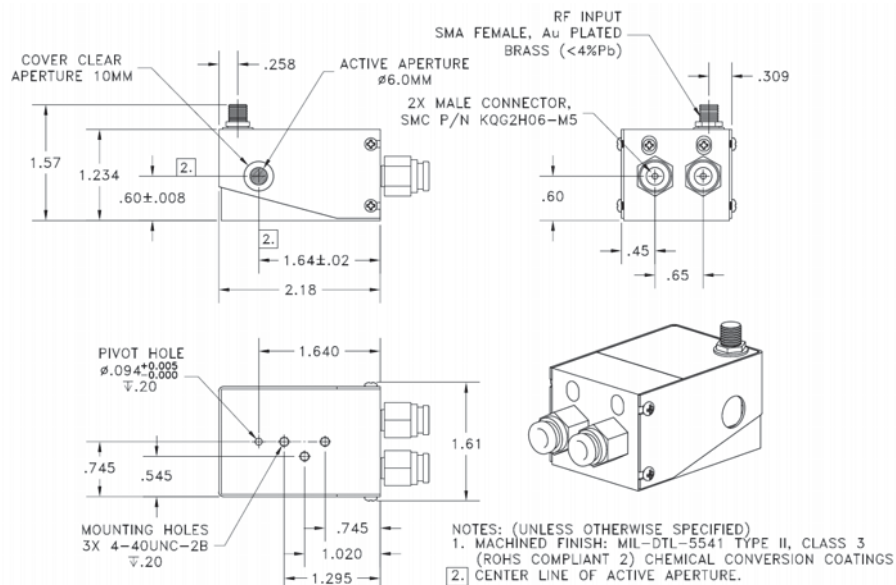
### 光束直径性能参数

光束直径(μm)	<b>3500</b>	<b>3500</b>
波长(nm)	355	355
衍射效率(%)	85	94
上升时间(ns)	407	407



\*透光孔径：性能指标适用的光学孔径范围

### 外形尺寸图:



**Document**  
**07/17/19**  
**Control**

#### Notes:

1. Delivered RF power must be optimized to achieve >94% efficiency.
  2. Mechanical outline per 97-03381-01-15.
  3. Optical window wedge <1'.
  4. Water cooled, .25GPM, <28C.
- \*-7db roll off of efficiency at vertical aperture edges.

THIS DOCUMENT IS THE PROPERTY OF GOOCH AND HOUSEGO. IT IS NOT TO BE REPRODUCED OR DISCLOSED IN WHOLE OR IN PART OTHER THAN BY EMPLOYEES OF GOOCH AND HOUSEGO AND ITS CONTRACTED REPRESENTATIVES AND DISTRIBUTORS. ANY EXCEPTION REQUIRES THE WRITTEN CONSENT OF AN AUTHORIZED REPRESENTATIVE OF GOOCH AND HOUSEGO.

TOLERANCES: .XX ± .01 .XXX ± .005	DR	Gerri Scholz 7/10/2019	Gooch & Housego		
MATERIAL:	CHK		DESCRIPTION: <b>AOMO 3110</b> Quartz, .355um		
FINISH:	APP		PART NUMBER:	REV:	SHEET 1 OF 1
	APP		97-03381-01	2	