

技术参数

声光介质	TeO2	
声速	4.2 mm/μs	
通光孔径*	1.3 mm 'L' X	1.3 mm 'H'
中心频率	95 MHz	
射频带宽	60 MHz @	-13 dB Return Loss
输入阻抗	50 Ohms Nominal	
驻波比	1.65 :1 Max	
波长	680-1300 nm	
插入损耗	5 % Max	
单表面反射率	2 % Max	
反射膜镀膜标准	MIL-C-48497	
光功率密度	<250 W/mm ²	
消光比	1000 :1 Min	
偏振	Perpendicular ° To Mounting Plane	

波长性能参数

波长(nm)	680	1064	1300
饱和射频功率 (W)	0.86	2.2	2.2
布拉格角 (mr)	10.13	10.13	10.13
光束分离角 (mr)	20.26	20.26	20.26

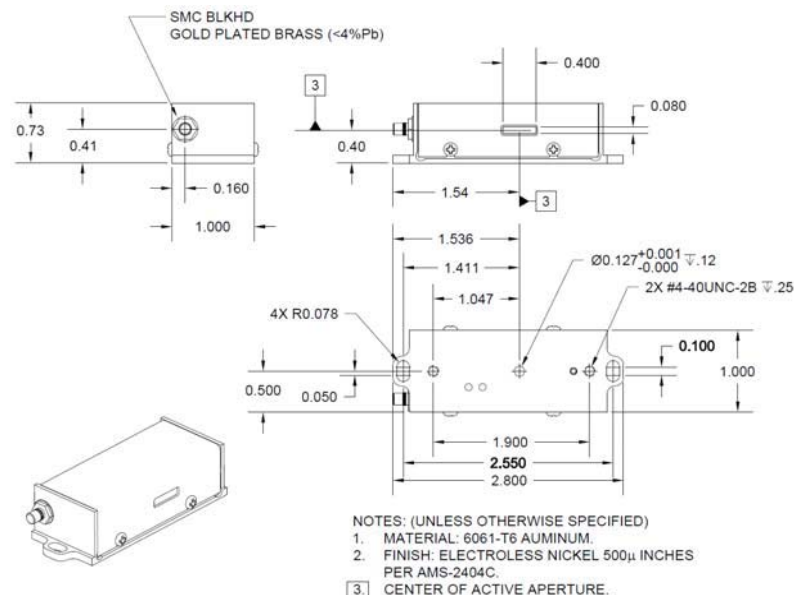
光束直径性能参数

光束直径(μm)	800	800	800
波长(nm)	680	1064	1300
衍射效率(%)	90	90	80
上升时间(ns)	128	128	128
射频频率(MHz)	125	80	65
色散角扩展系数 (μrad/nm)	30	20	15



*通光孔径：性能指标所适用的孔径范围

外形尺寸图:



Document

03/16/21

Control

Notes:

Frequency Tuning to control output diffraction angle.
 Beam pointing error<100urad for 10db change in RF Power (i.e. 02-2W)
 Ambient Operating temperature 20-30C.
 Maximum RF 3W.
 Crystal optical path 21.8mm
 Shipped in double Nylon Class 5 bags, vacuum sealed.

THIS DOCUMENT IS THE PROPERTY OF GOOCH AND HOUSEGO. IT IS NOT TO BE REPRODUCED OR DISCLOSED IN WHOLE OR IN PART OTHER THAN BY EMPLOYEES OF GOOCH AND HOUSEGO AND ITS CONTRACTED REPRESENTATIVES AND DISTRIBUTORS. ANY EXCEPTION REQUIRES THE WRITTEN CONSENT OF AN AUTHORIZED REPRESENTATIVE OF GOOCH AND HOUSEGO.

TOLERANCES: .XX ± .01 .XXX ± .005	DR	T. NG 2/24/2021	Gooch & Housego		
MATERIAL:	CHK		DESCRIPTION: AOMO 3095 .68-1.3um		
FINISH: RoHS Compliant	APP		PART NUMBER: 97-03442-01	REV: 2	SHEET 1 OF 1