

技术参数

声光介质	Crystalline Quartz	
声速	5.74 mm/μs	
透光孔径*	2.5 mm 'L' X	2.5 mm 'H'
中心频率	80 MHz	
射频带宽	20 MHz @ -10 dB Return Loss	
输入阻抗	50 Ohms Nominal	
驻波比	1.2:1 Max	
波长	532 nm	
插入损耗	.5 % Max	
单表面反射率	0.3 % Max	
反射膜镀膜标准	MIL-C-48497	
光功率密度		
消光比	1000:1 Min	
偏振	90° To Mounting Plane	

波长性能参数

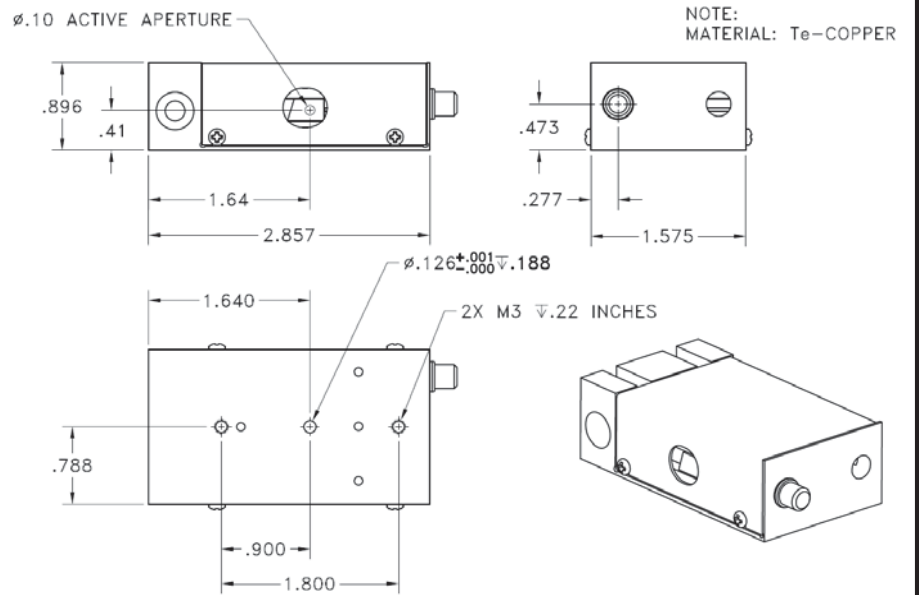
波长(nm)	532
饱和射频功率 (W)	4.9
布拉格角 (mr)	3.7
光束分离角 (mr)	7.4

光束直径性能参数

光束直径(μm)	1500
波长(nm)	532
衍射效率(%)	80
上升时间(ns)	175

*透光孔径：性能指标所适用的孔径范围

外形尺寸图:



Document

09/13/18

Control

Notes:



THIS DOCUMENT IS THE PROPERTY OF GOOCH AND HOUSEGO. IT IS NOT TO BE REPRODUCED OR DISCLOSED IN WHOLE OR IN PART OTHER THAN BY EMPLOYEES OF GOOCH AND HOUSEGO AND ITS CONTRACTED REPRESENTATIVES AND DISTRIBUTORS. ANY EXCEPTION REQUIRES THE WRITTEN CONSENT OF AN AUTHORIZED REPRESENTATIVE OF GOOCH AND HOUSEGO.

TOLERANCES: .XX ± .01 .XXX ± .005	DR	A. Campi 9/6/2018			
MATERIAL: 	CHK		DESCRIPTION: AOMO 3080-294 Quartz, 532um		
FINISH: 	APP		PART NUMBER: 97-03118-04	REV: A	SHEET 1 OF 1