

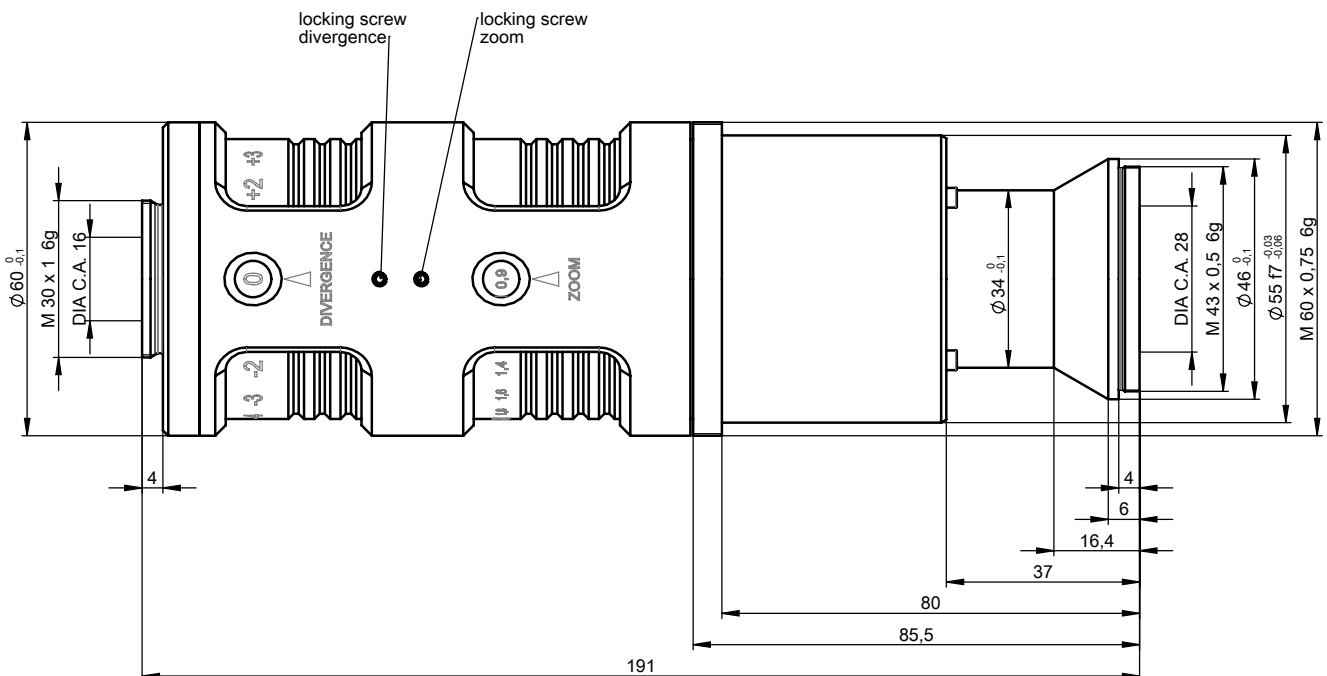
S6EXZ0940/574

Beamexpander
0.9 - 4
for 355 nm
fused silica



illustration only

outline drawing



DATA SHEET

specifications

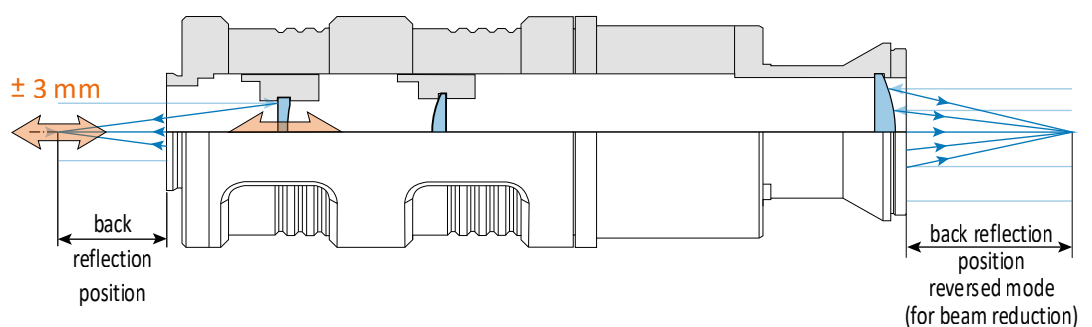
article number	S6EXZ0940/574
design wavelength [nm]	355
magnification factor	0.9 - 4
divergence adjustable	yes
optical principle	Galilei (no internal focus)
pointing stability [mrad]	< 1
clear input aperture [mm]	16.0
clear output aperture [mm]	28.0
max. input beam-Ø [mm]	16.0
total number of lenses	4
total transmission [%]	> 98
lens material	fused silica
LIDT (coating) [J/cm ²]	1.0 J/cm ² per 1ns pulse at 50Hz
no internal ghosts	yes
no internal ghosts, reversed usage	no
mounting thread	M30x1
weight [kg]	not yet weighed
accessory	S6MEC0107 - adapter M30x1 to C-mount

remarks

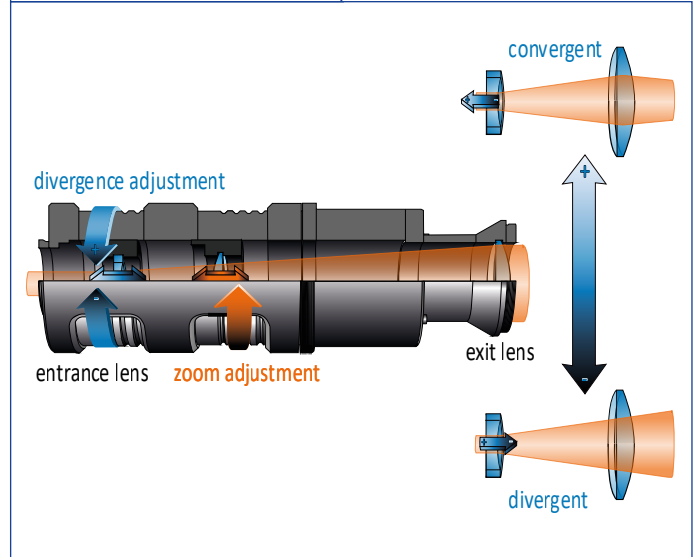
¹⁾ clipped at $1/e^2$; wavefront error on axis (PV) < $\lambda/10$ (value provided by design)
magnification (reversed mode) = 1 / magnification (regular mode)
divergence adjustment = 0 → collimated input beam results in collimated output beam
maximum divergence adjustment is ± 3 mm
RoHS compliant
length at divergence setting „0“ stated in the drawing - length extension of max. 3 mm is possible

back reflection position

back reflections [mm]	
no external back reflections in regular mode	
back reflections reverse [mm]	
158.40	
33.00	
0	



divergence adjustment



mounting positions

